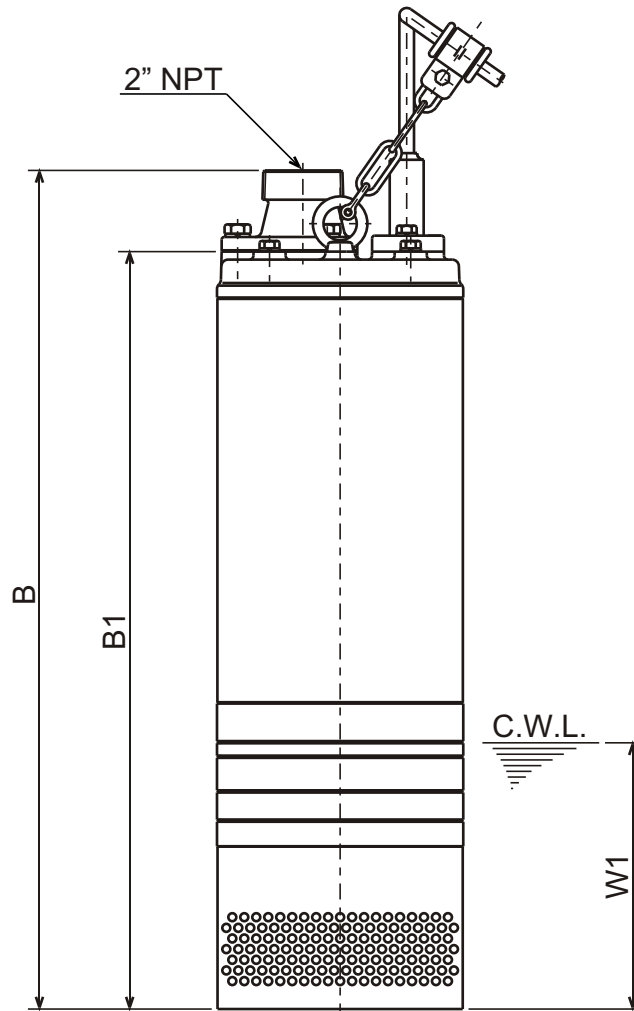
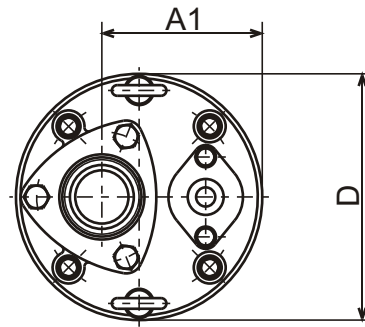




**LH - SERIES
DEWATERING PUMPS**

DIMENSIONS

LH23.0W-60



C.W.L. : Continuous running Water Level

DIMENSIONS:USCS (Inch)

Model	HP	NOM. SIZE	Pump & Motor				C.W.L.	Wt. (lbs.)
			A1	B	B1	D	W1	
LH23.0W-60	4	2"	4 3/4	24 13/16	22 3/8	7 5/16	7 7/8	101

DIMENSIONS:METRIC (mm)

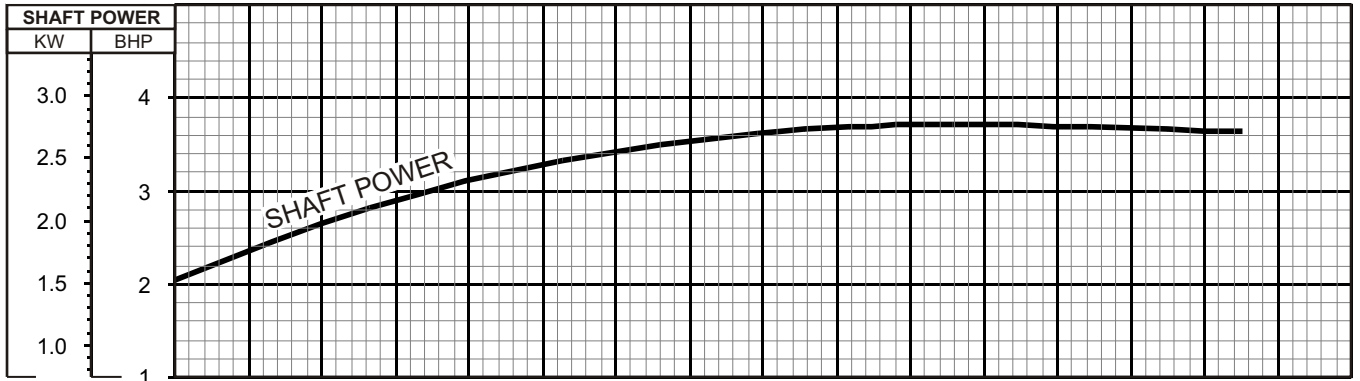
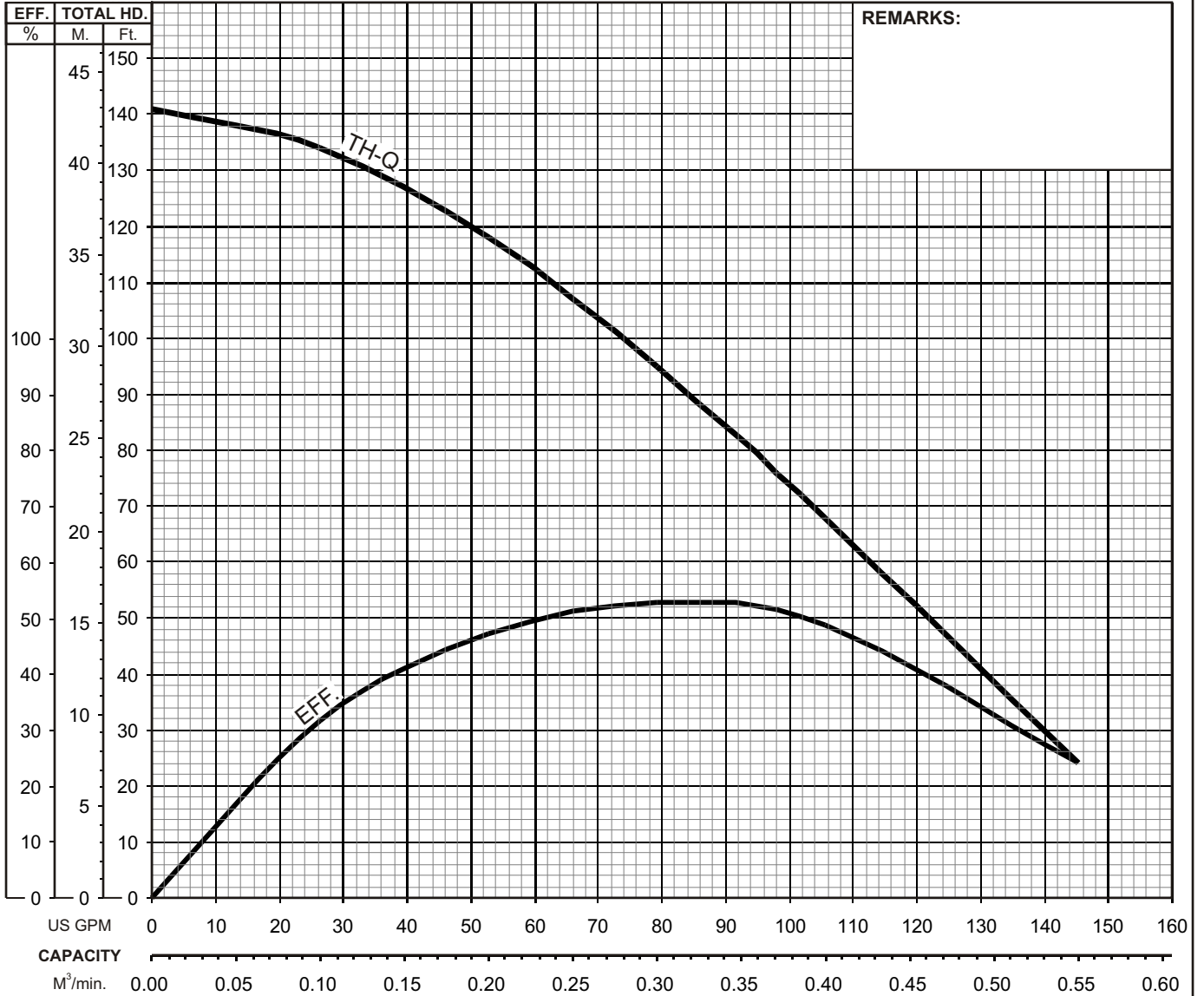
Model	HP	NOM. SIZE	Pump & Motor				C.W.L.	Wt. (lbs.)
			A1	B	B1	D	W1	
LH23.0W-60	3	50	121	630	569	185	200	46



LH - SERIES DEWATERING PUMPS

PERFORMANCE CURVE

MODEL	BORE	HP	KW	RPM	SOLIDS DIA	LIQUID	SG.	VISCOSITY	TEMP.
LH23.0W-60	2"/50mm	4	3	3430	0.236"/6mm	Water	1.0	1.123 cST	60°F
PUMP TYPE	PHASE	VOLTAGE	AMPERAGE	HZ	STARTING METHOD	INS. CLASS			
Dewatering Pump	3	208 - 230 / 460 / 575	12.3 - 12.0 / 6.0 / 4.7	60	Direct On Line	F			
CURVE No.	DATE	PHASE	VOLTAGE	AMPERAGE	HZ	STARTING METHOD	INS. CLASS		
-	-	-	-	-	-	-	-		

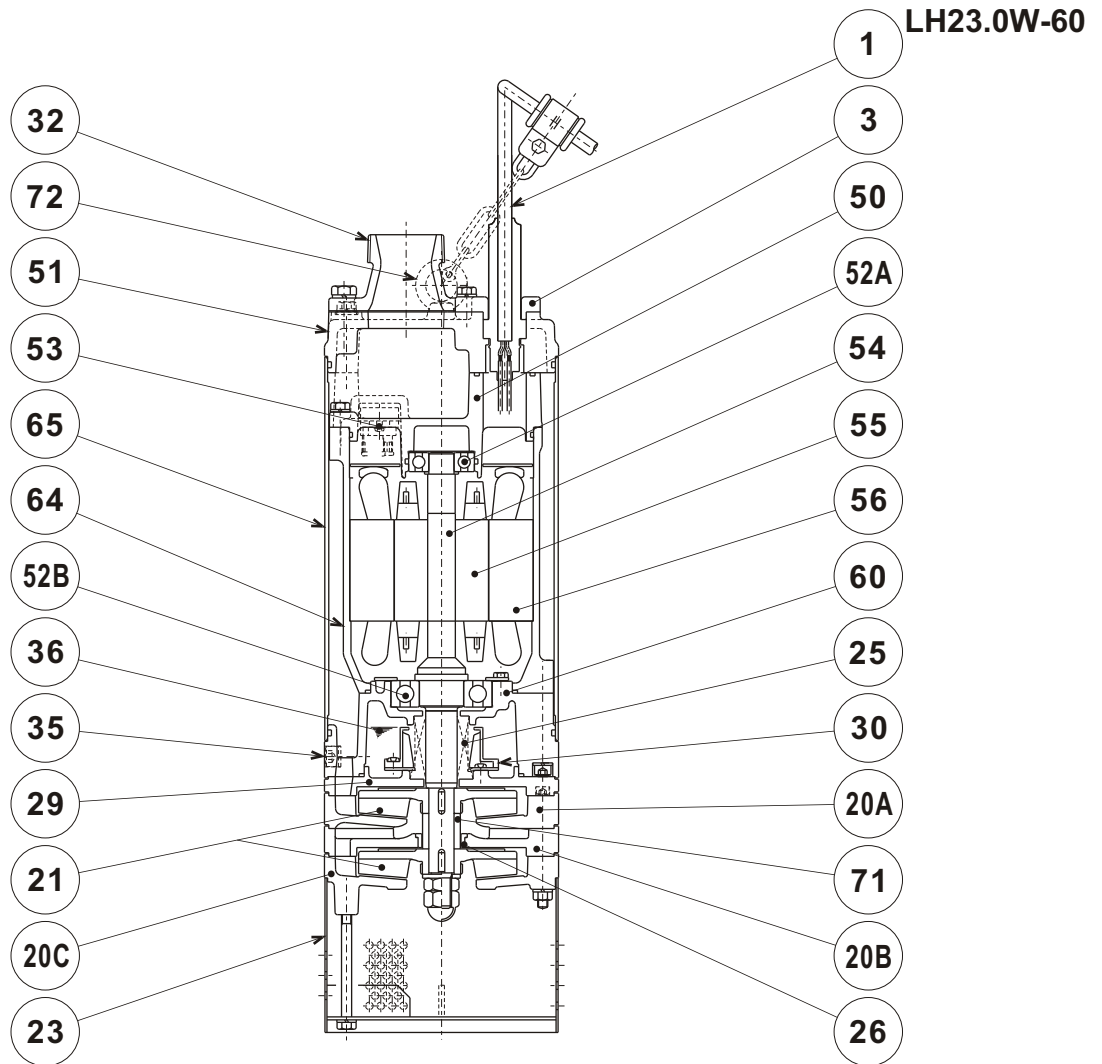




TSURUMI PUMP

**LH - SERIES
DEWATERING PUMPS**

SECTIONAL VIEW



ITEM#	DESCRIPTION	MAIN MATERIAL / NOTE	ASTM, AISI CODE	RELATED EN CODE	Q'TY
1	Power Cable	Chloroprene Sheath AWG14/4-65ft			1
3	Gland	Cast Iron	A48M Class30B	EN 1561 GJL-200	1
20A	Upper Pump Casing	Ductile Cast Iron	A536 65-45-12	EN 1563 GJS-450-10	1
20B	Middle Pump Casing	Ductile Cast Iron	A536 65-45-12	EN 1563 GJS-450-10	1
20C	Lower Pump Casing	Ductile Cast Iron	A536 65-45-12	EN 1563 GJS-450-10	1
21	Impeller	High Chrome Cast Iron	A532 Class TypeA	DIN 1695 G-X260Cr27	2
23	Suction Strainer	Steel	A283 Grade D	EN 10025 S275	1
25	Mechanical Seal	Silicon Carbide / H-25T			1
26	Labyrinth Ring	Stainless Steel	S 30400	1.4301	2
29	Oil Casing	Ductile Cast Iron	A536 65-45-12	EN 1563 GJS-450-10	1
30	Oil Lifter	PBT Resin W/GF40			1
32	Discharge Connection	Ductile Cast Iron / NPT 2"	A536 65-45-12	EN 1563 GJS-450-10	1
35	Oil Plug	Stainless Steel	S 30400	1.4301	1
36	Lubricant	Turbine Oil ISO VG32 or SAE 10W-20			
50	Motor Bracket	Cast Iron	A48M Class30B	EN 1561 GJL-200	1
51	Head Cover	Cast Iron	A48M Class30B	EN 1561 GJL-200	1
52A	Upper Bearing	#6304ZZC3			1
52B	Lower Bearing	#6307ZZC3			1
53	Motor Protector				1
54	Shaft	Stainless Steel	S 42000	1.4028	1
55	Rotor				1
56	Stator				1
60	Bearing Housing	Cast Iron	A48M Class30B	EN 1561 GJL-200	1
64	Motor Housing	Cast Iron	A48M Class30B	EN 1561 GJL-200	1
65	Outer Cover	Steel	A283 Grade D	EN 10025 S275	1
71	Shaft Sleeve	Stainless Steel	S 40300	1.4000	1
72	Lifting Lug Bolt	Stainless Steel	S 30400	1.4301	2

PARTS LIST		HIGH HEAD DEWATERING PUMP			5/8/2015	
ITEM	PART No.	DESCRIPTION	QTY	SIZE	MATERIAL	NOTES
1	140-056-11	Hex.Bolt	2	M8x30	SUS304	
2	142-163-18	Spring Washer	2	M8	SUS304	
3	003-000-06	Gland	1	d26xP.C.60	FC	
4	001-001-18	Cabtyre Cable Set (65') 60Hz (USA)	1	2PNCTF4Cx2mm	LH	
5	010-124-15	Cable Clip Rubber 60Hz (USA)	1	No.3	NBR	
6	010-120-18	Cable Clip	1	No.2-1	SPC	
7	140-032-37	Hex.Bolt	1	M6x15	SWRM	
8	095-131-18	Chain	1	4mm(3L)	SS	
9	141-004-59	Hex.Nut	1	M6	SWRM	
10	011-110-11	Shackle	1	6mm(M8,SC)	SS	
11	140-076-17	Hex.Bolt	3	M10x30	SUS304	
12	142-164-19	Spring Washer	3	M10	SUS304	
13	032-000-21	Hose Coupling (USA)	1	NPT-2	FCD	
14	121-000-32	Packing	1	P.C.98xd60x1t	THREE SHEET	*
15	072-100-20	Eye Bolt	2	M10	SUS304	
16	140-064-12	Hex.Bolt	4	M8x70	SUS304	
17	142-163-18	Spring Washer	4	M8	SUS304	
18	142-337-15	Seal Washer	4	SM-8	SUS+NBR	*
19	051-000-12	Head Cover	1		FC	
20	122-431-18	O-Ring	1	171.04xd3.53	NBR	*
21	140-055-10	Hex.Bolt	4	M8x25	SUS304	
22	142-163-18	Spring Washer	4	M8	SUS304	
23	122-119-17	O-Ring	1	G-40(39.4xd3.1)	NBR	*
24	050-000-18	Motor Bracket	1		FC	
25	122-139-13	O-Ring	1	G-140(139.4xd3.1)	NBR	*
26	053-000-38	Motor Protector 208/230V-60Hz(USA)	1	KA313-GCTL110	(T.C)	
	053-477-19	Motor Protector 460V-60Hz(USA)	1	KA313-GQXL104	(T.C)	
	053-477-19	Motor Protector 575V-60Hz(USA)	1	KA313-GQXL104	(T.C)	
27	143-126-12	Pan Screw (w/Spring Washer/Plain Washer)	2	M4x12	SWRM	
28	009-000-37	Intermediate Lead Wire	1Set	UL-1015,AWG14,L=260,2-4		
29	143-085-34	Pan Screw (w/Spring Washer)	1	M4x6	C3604	
30	058-000-07	Protection Plate	1	d65.5xd144x2t	Bakelite	
31	064-000-38	Motor Frame	1		FC	
32	142-196-10	Wave Washer	1	6205/6304	SK5	
33	122-367-12	O-Ring	1	52xd3.1	NBR	*
34	052-107-12	Bearing	1	6304ZZC3		
35	061-174-18	Slinger	1	d20xd27x2t	SPC	
36	055-000-59	Rotor	1Set		SUS	
37	147-125-13	Impeller Key	2	5x5x15l	SUS420	
38	056-001-32	Stator 208/230V-60Hz(USA)	1Set			
	056-001-71	Stator 460V-60Hz(USA)	1Set			
	056-001-73	Stator 575V-60Hz(USA)	1Set			
39	065-000-16	Outer Cover	1		SPCC	
40	140-030-51	Hex.Bolt	3	M6x12	SWRM	

* Indicates items included in set

PARTS LIST		HIGH HEAD DEWATERING PUMP			5/8/2015	
ITEM	PART No.	DESCRIPTION	QTY	SIZE	MATERIAL	NOTES
41	062-219-19	Bearing Cover	1	P.C.94xd70x2.3t	SPCC	
42	052-110-18	Bearing	1	6307ZZC3		
43	122-133-17	O-Ring	1	G-110(109.4xd3.1)	NBR	*
44	122-431-18	O-Ring	1	171.04xd3.53	NBR	*
45	060-000-36	Bearing Housing	1		FC	
46	121-246-11	Packing	1	d10.3xd16x2t	PE	*
47	035-124-12	Oil Plug	1	M10x15	SUS304	
48	142-163-18	Spring Washer	4	M8	SUS304	
49	140-278-11	Hex.Socket Cap Bolt	4	M8x70	SUS304	
50	025-255-12	Mechanical Seal	1	H-25T	SiC	
51	143-070-23	Pan Screw	2	M5x6	SWRM	
52	030-143-12	Oil Lifter	1	H-25(A)(T)	Resin	
53	143-070-10	Pan Screw	4	M5x6	SWRM	
54	030-148-17	Seal Stopper	1	HT-2530	SPCC	
55	122-135-19	O-Ring	1	G-120(119.4xd3.1)	NBR	*
56	029-000-12	Oil Casing	1	LH23.0W/LH33.0	FCD	
57	140-252-19	Hex.Socket Cap Bolt	4	M6x20	SUS304	
58	040-106-27	Impeller Shim		d20.2xd30x0.3t	SUS304	
59	021-001-45	Impeller (60Hz)	1	LH23.0W-60	HiCrFC	
	021-001-44	Impeller (50Hz)	1	LH23.0W-50	HiCrFC	50Hz option
60	071-000-10	Shaft Sleeve	1	d20xd30x28L	SUS403	
61	020-000-54	Pump Casing (Lower/2nd Stage)	1	LH23.0W	FCD	
62	026-000-05	Labyrinth Ring	1	d31xd41x11t	SUS304	
63	020-000-92	Pump Casing (Upper/1st Stage)	1	LH23.0W w/Labyrinth Ring	FCD	
64	021-001-45	Impeller (60Hz)	1	LH23.0W-60	HiCrFC	
64	021-001-44	Impeller (50Hz)	1	LH23.0W-50	HiCrFC	50Hz option
65	142-130-16	Plain Washer	1	M16	SUS304	
66	141-008-40	Hex.Nut	1	M16(H=10)	SUS304	
67	141-033-15	Hex.Cap Nut	1	M16	SUS304	
68	020-000-56	Pump Casing (Lower/1st Stage)	1	LH23.0W	FCD	
69	144-000-18	Stud Bolt	4	M8x120(16/18)	SUS304	
70	142-163-18	Spring Washer	4	M8	SUS304	
71	141-005-18	Hex.Nut	4	M8	SUS304	
72	023-000-24	Strainer Stand	1	LH23.0W/LH33.0	SPCC	
73	142-163-18	Spring Washer	4	M8	SUS304	
74	140-070-11	Hex.Bolt	4	M8x100	SUS304	
	173-000-41	Packing O-Ring Set	1Set	(Marked by *)		
14	121-000-32	Packing (Hose Coupling)	1	P.C.98xd60x1t	THREE SHEET	*
18	142-337-15	Seal Washer (Pump Head Cover Bolt)	4	SM-8	SUS+NBR	*
20	122-431-18	O-Ring (Head Cover/M.Frame)	1	171.04xd3.53	NBR	*
23	122-119-17	O-Ring (Head Cover/M.Bracket)	1	G-40(39.4xd3.1)	NBR	*
25	122-139-13	O-Ring (M.Bracket/M.Frame)	1	G-140(139.4xd3.1)	NBR	*
33	122-367-12	O-Ring (Upp. Bearing)	1	52xd3.1	NBR	*
43	122-133-17	O-Ring (M.Frame/Brg.Housing)	1	G-110(109.4xd3.1)	NBR	*



MODEL LH23.0W-60

PARTS LIST		HIGH HEAD DEWATERING PUMP			5/8/2015	
ITEM	PART No.	DESCRIPTION	QTY	SIZE	MATERIAL	NOTES
44	122-431-18	O-Ring (Out.Cover/Brg.Housing)	1	171.04xd3.53	NBR	*
46	121-246-11	Packing (Oil Plug)	1	d10.3xd16x2t	PE	*
55	122-135-19	O-Ring (Brg.Housing/O.Casing)	1	G-120(119.4xd3.1)	NBR	*
		Lubricant		Turbine Oil VG32 350ml		

* Indicates items included in set

PARTS LIST		HIGH HEAD DEWATERING PUMP			5/8/2015	
ITEM	PART No.	DESCRIPTION	QTY	SIZE	MATERIAL	NOTES

EXPLODED VIEW

LH23.0W-50/60

